



# Easy-Change Water Dispenser/Icemaker Filter System Installation and Operating Instructions Model IC-EZ



## Specifications

Range / Capacity	Level 1	Level 3	Level 4
Pressure Range:	30 – 100 psi (2.1 – 6.9 bar)		
Temperature Range:	40–100 ° F (4.4 – 37.7 ° C)		
Rated Service Flow:	0.5 gpm (1.9 Lpm)		
Filter Capacity:	3000 gallons (11,356 L)	500 gallons (1893 L)	
Turbidity:	5 NTU max		

## Parts Included:

- Filter head with built-in bracket
- Filter cartridge
- Mounting screws
- Cartridge change reminder sticker

## Tools Required

- phillips screwdriver
- hand or electric drill (cordless recommended)
- utility knife (for plastic tubing)
- towel
- tape measure
- pencil
- safety glasses

## Optional Materials

- shut off valve
- 3" x 3" x 1/2" wood block
- 1/4-inch drill bit
- 1/8-inch drill bit
- saddle tap valve w/ shut off
- 1/4" plastic tubing
- fittings
- T-Flush valve (Model FVK-100\*)  
Recommended when used with an icemaker that is not in combination with a water dispenser. This valve is installed after the filter, so the filter can be flushed to remove carbon fines or release pressure before removing cartridge. See Diagram below.  
\*Not Performance Tested or Certified by NSF.

## Precautions

**⚠ WARNING:** Do not use with water that is microbiologically unsafe or of unknown quality without adequate disinfection before or after the system. Systems certified for cyst reduction may be used on disinfected waters that may contain filterable cysts.

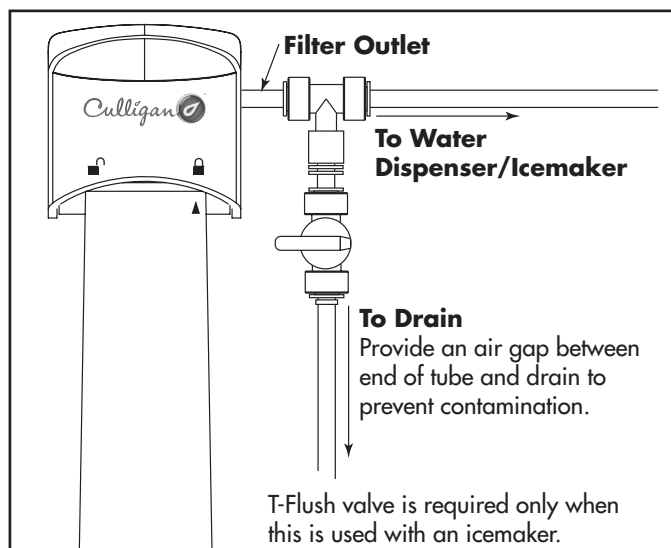
**CAUTION:** This filter must be protected from freezing, which can cause cracking of the filter and water leakage.

**CAUTION:** Because of the product's limited service life and to prevent costly repairs or possible water damage, we strongly recommend that the head of the filter be replaced every ten years. If the head of your filter has been in use for longer than this period, it should be replaced immediately. Date the top of any new head to indicate the next recommended replacement date.

**CAUTION:** Turn off water supply to head without cartridge if it must be left unattended for an extended period of time.

## NOTE:

- For cold water use only.
- Make certain that installation complies with all state and local laws and regulations.
- The contaminants or other substances removed or reduced by the selected cartridge are not necessarily in your water.
- After prolonged periods of non-use (such as during a vacation) it is recommended that the system be flushed thoroughly. Let water run for 10 minutes before using.
- The filter cartridges used with this system have a limited service life. Changes in taste, odor, and/or flow of the water being filtered indicate that the cartridge should be replaced.



The IC-EZ-1 is tested and certified by NSF International to NSF/ANSI Standard 42 for the aesthetic reduction of Chlorine Taste and Odor and Nominal Particulate Class III.

The IC-EZ-3 is tested and certified by NSF International to NSF/ANSI Standard 42 for the aesthetic reduction of Chlorine Taste and Odor and Nominal Particulate Class 1. Standard 53 for the reduction of Cysts, Turbidity, Lead, Lindane and Atrazine.

The IC-EZ-4 is tested and certified by NSF International to NSF/ANSI Standard 42 for the aesthetic reduction of Chlorine Taste and Odor, Chloramines and Nominal Particulate Class 1. Standard 53 for the reduction of Cysts, Lead, Mercury, VOC, MTBE and Turbidity.

# Installation

- For standard installation on 1/4-inch plastic hose cold water line.
- Please read all instructions and precautions before installing and using your IC-EZ water dispenser Icemaker Filter
- Numbered diagrams correspond with numbered steps
- Instructions refer to standard installation on existing water line to refrigerator. Before installation, make sure there is enough slack in existing water line to allow refrigerator to be moved out from the wall.

## 1. Mounting the Filter System

**NOTE:** Before starting installation, turn off the icemaker in the refrigerator and store the ice cubes in a clean container in the freezer.

**NOTE:** Filter should not be more than 3 feet from the appliance.

**NOTE:** Allow 1-1/2-inches (38 mm) clearance below housing or 12-inches (305 mm) below filter head to enable filter cartridge changes.

**CAUTION:** Filter head should be mounted on stud or firm surface. The mounting bracket will support the weight of the filter and help prevent strain on the cold water line.

**⚠ WARNING:** DO NOT screw mounting bracket directly onto the refrigerator.

**CAUTION:** Water supply to the refrigerator should have a separate shut off valve installed before filter. If it does not, a separate shutoff should be installed

- A) Turn off the cold water supply to the refrigerator and dispense the water from the refrigerator door until water flow stops to release the pressure in the pipes before starting installation. Place a tray or towels under the cold water line to catch the excess water after the pipes are cut.
- B) Select location under sink, in basement or near refrigerator where filter is to be mounted. If filter assembly is mounted on a side wall next to drawers, remove drawers. Cabinet wall may be too thin to support filter assembly. We recommend that a 3" x 3" x 1/2" wood block be used on the back side of the cabinet to allow the screws to penetrate through the cabinet and into the wood block. This will allow the filter assembly to be fully supported. Using the filter head assembly as a template, drill two 1/4-inch holes in the side wall. Position the block of wood behind these two holes and drill two 1/8-inch holes into the block. Use the two screws provided to mount filter assembly head to side wall and on the block of wood.
- C) Filter head should be mounted in vertical position. Use mounting bracket as a template to mark screw locations. Mount filter head in marked location using screws.

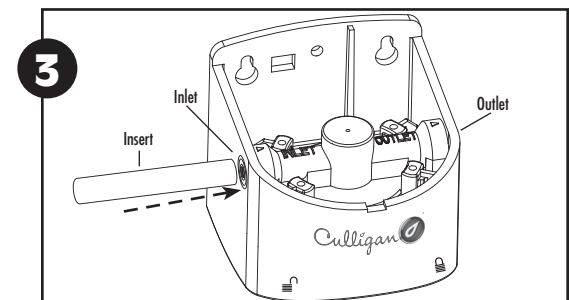
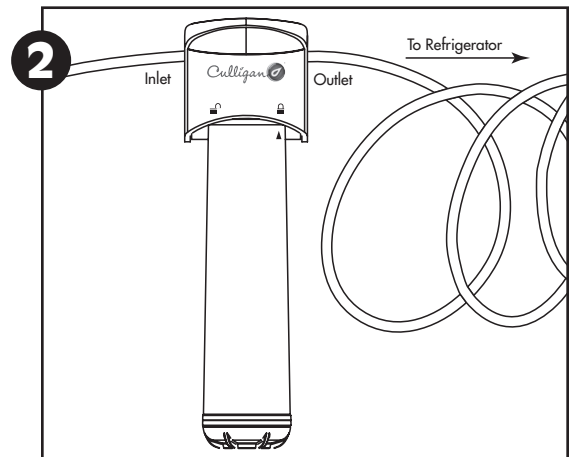
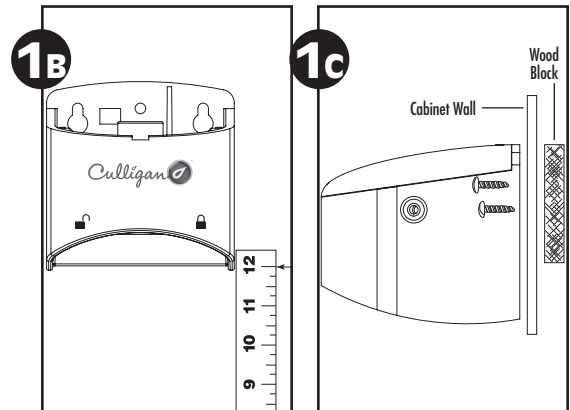
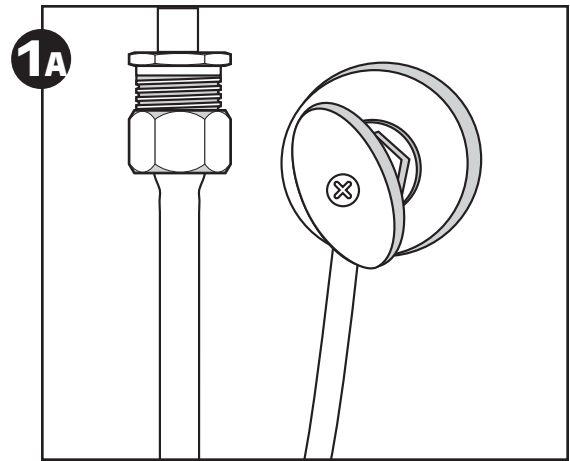
## 2. Cutting or Disconnecting the Tubing

- A) Use a 7 to 8 foot coil (3 coils, approximately 10" diameter) of plastic tubing between the outlet of the filter and the refrigerator.
- B) Determine the length of plastic tubing needed to connect the inlet and outlet of filter.
- C) Using a utility knife; cleanly cut tubing. Leave a minimum of 2-inches (51 mm) of tubing after shut-off valve in case tubing must be re-cut at a later time.

## 3. Connecting the Tubing and Fittings

**NOTE:** If the water cannot be flushed through an existing water dispenser, install T-Flush valve first and then connect the outlet of the filter the same as step 3A. See Page 1 for a T-Flush valve diagram.

- A) Connecting the Inlet. Assemble fittings as shown, by inserting tube 5/8-inch (16 mm) into inlet fitting of head.
- B) Connecting the Outlet. Connect outlet of filter the same as step (3A)



## 4. Installing the Cartridge

- A) Hold cartridge from the bottom when installing or changing the cartridge. Use caution not to scrape knuckles on bracket when locking the cartridge into place.
- B) Line up the arrow on the cartridge with unlocked padlock on head. Insert cartridge and turn arrow to locked padlock. See Diagrams R2 and R3.

## 5. Putting the Filter into Operation

**NOTE:** A drinking water cartridge may contain carbon fines (very fine black powder). If your icemaker contains black carbon fines, discard ice.

- A) Turn on water supply to allow filter to fill with water. Check for leaks. If it leaks, see Troubleshooting.
- B) Flush filter for 10 minutes through the water dispenser or if appliance is equipped with only an icemaker, through the T-Valve, and discard water.
- C) Turn on icemaker.
- D) Check for leaks before leaving installation. If it leaks, see Troubleshooting.
- E) Installation is complete.

## Filter Cartridge Replacement

**NOTE:** It is recommended that the EZ-1 filter be replaced every year and the EZ-3/EZ-4 filters every 6 months, or when you notice a change in taste, odor, or flow of the water being filtered.

- 1) **Relieve Water Pressure**
  - A) Relieve pressure by turning off water supply to the filter and dispense water from water dispenser or T-flush valve until water flow stops.
- 2) **Remove Old Cartridge**

**NOTE:** Place towel under the system to catch any water drips.

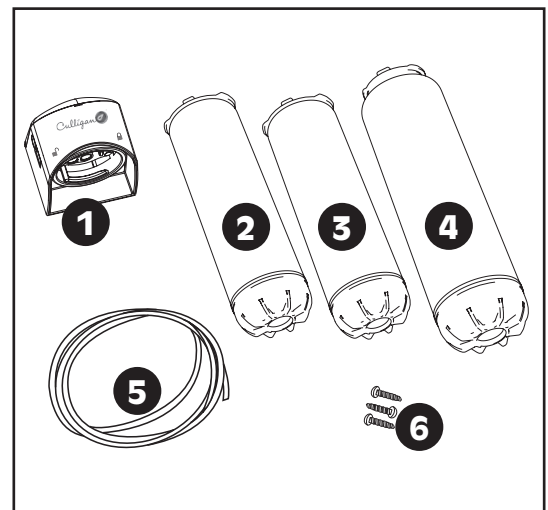
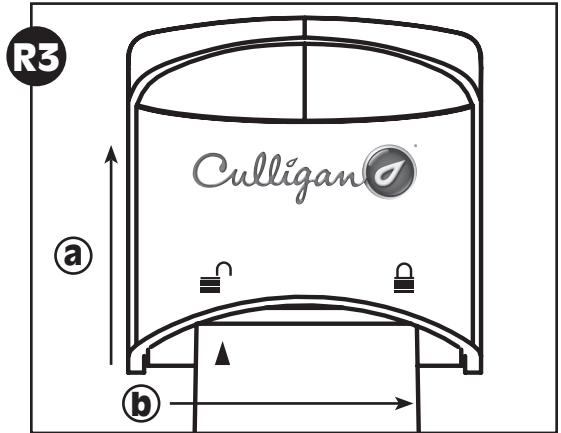
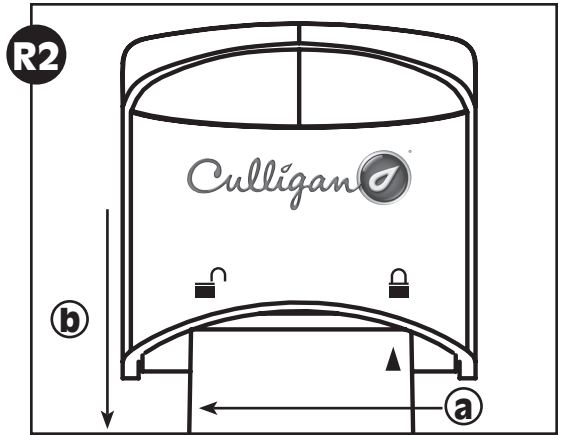
  - A) Turn arrow from locked to unlocked position.
  - B) Gently pull down to remove cartridge.
- 3) **Install New Cartridge**
  - A) Line up arrow with unlocked position on head and insert cartridge.
  - B) Turn to locked position.
  - C) Turn on water and check for leaks. If it leaks, see Troubleshooting.
  - D) Flush water through water dispenser or T-Flush valve for 10 minutes to remove carbon fines. Check for leaks before leaving installation. If it leaks, see Troubleshooting.

## Replacement Parts

IC-EZ

1	head assembly
2	RC-EZ-1 filter cartridge Level 1 filtration
3	RC-EZ-3 filter cartridge Level 3 filtration
4	RC-EZ-4 filter cartridge Level 4 filtration
5	clear 1/4 inch tubing
6	small parts pack

Contact your area retailer or local water treatment professional for replacement cartridge pricing. For replacement parts, contact your nearest Culligan water filter retailer or call 1-888-777-7962.



## Troubleshooting

**NOTE:** If leaks persist, or if there are other leaks on system, turn off water supply. Call our Technical Support Department at 1-800-721-9243.

### Leaks:

#### ...between head and cartridge

- 1) Turn off the water supply to the filter and dispense water from the refrigerator door or T-Flush valve until water and airflow stops.
- 2) Remove cartridge and inspect o-rings to make sure they are in place and clean.
- 3) Install cartridge and turn on water supply. If it still leaks, contact Technical Support at 1-800-721-9243 M-F 8:00 AM - 4:30 PM CST. Turn off icemaker if filtered water goes to icemaker.

#### ...from fittings

Relieve pressure by turning off water supply to the filter and dispense water through the refrigerator door or T-Flush valve until water and airflow stops. Press in the gray collar around the fitting while pulling the tubing with the other hand. Check if tubing is cut squarely or scratched. If tubing is scratched or uneven, cut off 1/2" to 5/8" and re-install tubing per step 3 of installation instructions. Open the water supply valve. If the leaks persist, or if there are other leaks on the unit, turn off the water supply and icemaker, then call Technical Support at 1-800-721-9243. If the fitting does not leak, turn on the icemaker.

## Performance Data

**⚠ WARNING:** Do not use with water that is microbiologically unsafe or of unknown quality without adequate disinfection before or after the system. Systems certified for cyst reduction may be used on disinfected waters that may contain filterable cysts.

**NOTE:** Substances reduced are not necessarily in your water. Filter must be maintained according to manufacturer's instructions, including replacement of filter cartridges.

### Model IC-EZ

**Important Notice:** Read this performance data and compare the capabilities of this system with your actual water treatment needs. It is recommended that, before installing a water treatment system, you have your water supply tested to determine your actual water treatment needs.

This system has been tested according to NSF/ANSI 42 and 53 for the reduction of the substances listed below. The concentration of the indicated substances in water entering the system was reduced to a concentration less than or equal to the permissible limit for water leaving the system, as specified in NSF/ANSI 42 and 53.

## Performance Data - cont.

### RC-EZ-1 Cartridges

This system has been tested according to NSF/ANSI 42 for the reduction of the substances listed below. The concentration of the indicated substances in water entering the system was reduced to a concentration less than or equal to the permissible limit for water leaving the system, as specified in NSF/ANSI 42.

Substance	Influent Challenge Concentration	Maximum Permissible Product Water Concentration	Reduction Requirements	Minimum Reduction	Average Reduction
Standard 42					
Chlorine	2.0 mg/L±10%		≥50%	94.8%	97.4%
Particulates (5µm to <15µm)-Class III	at least 10,000 particles/mL		≥85%	99.8%	99.9%

Flow Rate=0.5 gpm (1.89 Lpm) Capacity=3000 gallons (11,356 L) or 12 months  
Testing was performed under standard laboratory conditions, actual performance may vary.

### RC-EZ-3 Cartridges

This system has been tested according to NSF/ANSI 42 and 53 for the reduction of the substances listed below. The concentration of the indicated substances in water entering the system was reduced to a concentration less than or equal to the permissible limit for water leaving the system, as specified in NSF/ANSI 42 and 53.

Substance	Influent Challenge Concentration	Maximum Permissible Product Water Concentration	Reduction Requirements	Minimum Reduction	Average Reduction
Standard 42					
Chlorine	2.0 mg/L±10%		≥50%	96.2%	97.4%
Particulates (0.5 to <1µm)-Class I	at least 10,000 particles/mL		≥85%	99.8%	99.9%
Standard 53					
Cyst	Minimum 50,000/L		99.95%	99.95%	99.9%
Turbidity	11 mg/L ± 1 NTU	0.5 NTU		96.4%	98.5%
Lead (pH 6.5)	0.15 mg/L ± 10%	0.010 mg/L		99.3%	99.3%
Lead (pH 8.5)	0.15 mg/L ± 10%	0.010 mg/L		94.8%	98.3%
Atrazine	0.009 mg/L ± 10%	0.003 mg/L		94.1%	94.1%
Lindane	0.002 mg/L ± 10%	0.0002 mg/L		94.5%	98.2%

Flow Rate=0.5 gpm (1.89 Lpm) Capacity=500 gallons (1893 L) or 6 months  
Testing was performed under standard laboratory conditions, actual performance may vary

## Performance Data - cont.

### RC-EZ-4 Cartridges

This system has been tested according to NSF/ANSI 42 and 53 for the reduction of the substances listed below. The concentration of the indicated substances in water entering the system was reduced to a concentration less than or equal to the permissible limit for water leaving the system, as specified in NSF/ANSI 42 and 53.

Substance	Influent Challenge Concentration	Maximum Permissible Product Water Concentration	Reduction Requirements	Minimum Reduction	Average Reduction
Standard 42					
Chlorine	2.0 mg/L ± 10%		≥50%	96.2	97.0%
Chloramines	3.0 mg/L ± 10%	0.5 mg/L		97.6%	98.0%
Particulates (0.5 to <1µm)-Class I	at least 10,000 particles/mL		≥85%	99.9%	99.9%
Standard 53					
MTBE	0.015 ± 20%	0.005 mg/L	69%	96.8%	96.9%
Cyst	Minimum 50,000/L		99.95%	99.95%	99.9%
Turbidity	11 mg/L ± 1 NTU	0.5 NTU		96.6%	98.0%
Lead (pH 6.5)	0.15 mg/L ± 10%	0.010 mg/L		99.3%	99.3%
Lead (pH 8.5)	0.15 mg/L ± 10%	0.010 mg/L		94.1%	99.3%
Mercury (pH 6.5)	0.006 mg/L ± 10%	0.002 mg/L		96.7%	96.7%
Mercury (pH 8.5)	0.006 mg/L ± 10%	0.002 mg/L		96.6%	96.6%
Chloroform (VOC surrogate chemical)	0.300 mg/L ± 10%	0.015 mg/L		99.8%	99.8%

Flow Rate = 0.5 gpm (1.89 Lpm); Capacity = 500 gallons (1893 L) or 6 months  
Testing was performed under standard laboratory conditions, actual performance may vary.

### Test Conditions:

Flow Rate = 0.5 gpm  
Inlet Pressure = 60 psi (4.1 bar)  
pH = 7.5 ± 1  
Temperature = 68° F ± 5° F (20° C ± 2.5° C)

### Operating Requirements:

Pressure = 30 - 100 psi (2.1 - 6.9 bar)  
Temperature = 40° - 100° F (4.4° - 37.7° C)  
Turbidity = 5 NTU Max

### ⚠ WARNING:

Do not use with water that is microbiologically unsafe or unknown quality without adequate disinfection before or after the system.

NOTE: Substances reduced are not necessarily in your water. Filter must be maintained according to manufacturer's instructions, including replacement of filter cartridges.

## Performance Data - cont.

### Organic Chemicals Included by Surrogate Testing: Applies to IC-EZ-4 Only

Substance	Influent Challenge Concentration mg/L	Maximum permissible product water concentration mg/L
alachlor	0.050	0.001
atrazine	0.100	0.003
benzene	0.081	0.001
carbofuran	0.190	0.001
carbon tetrachloride	0.078	0.0018
chlorobenzene	0.077	0.001
chloropicrin	0.015	0.0002
2,4-D	0.110	0.0017
dibromochloropropane (DBCP)	0.052	0.00002
o-dichlorobenzene	0.080	0.001
p-dichlorobenzene	0.040	0.001
1,2-dichloroethane	0.088	0.0048
1,1-dichloroethylene	0.083	0.001
cis-1,2-dichloroethylene	0.170	0.0005
trans-1,2-dichloroethylene	0.086	0.001
1,2-dichloropropane	0.080	0.001
cis-1,3-dichloropropylene	0.079	0.001
dinoseb	0.170	0.0002
endrin	0.053	0.00059
ethylbenzene	0.088	0.001
ethylene dibromide (EDB)	0.044	0.00002
haloacetonitriles (HAN):		
bromochloroacetonitrile	0.022	0.0005
dibromoacetonitrile	0.024	0.0006
dichloroacetonitrile	0.0096	0.0002
trichloroacetonitrile	0.015	0.0003
haloketones (HK):		
1,1-dichloro-2-propanone	0.0072	0.0001
1,1,1-trichloro-2-propanone	0.0082	0.0003
heptachlor	0.25	0.00001
heptachlor epoxide	0.0107	0.0002
hexachlorobutadiene	0.044	0.001
hexachlorocyclopentadiene	0.060	0.000002
lindane	0.055	0.00001
methoxychlor	0.050	0.0001
pentachlorophenol	0.096	0.001
simazine	0.120	0.004
styrene	0.150	0.0005
1,1,2,2-tetrachloroethane	0.081	0.001
tetrachloroethylene	0.081	0.001
toluene	0.078	0.001
2,4,5-TP (silvex)	0.270	0.0016
tribromoacetic acid	0.042	0.001
1,2,4-trichlorobenzene	0.160	0.0005
1,1,1-trichloroethane	0.084	0.0046
1,1,2-trichloroethane	0.150	0.0005
trichloroethylene	0.180	0.0010
trihalomethanes (includes):		
chloroform (surrogate chemical)		
bromoform	0.300	0.015
bromodichloromethane		
chlorodibromomethane		
xylenes (total)	0.070	0.001

## Limited Warranty

This limited warranty applies to the Filter Housings only. It does NOT apply to any disposable filter cartridge, which has a life expectancy that varies with the water being filtered. This limited warranty covers defects in materials and workmanship only for two full years from original date of delivery. Culligan will replace any part which in Culligan's opinion is defective, unless: (1) any part of the system has been subjected to any type of tampering, alteration, or improper use after delivery, or (2) any part of the system has been repaired by anyone not approved by Culligan. Our obligation does not include the cost of shipment of materials. Culligan is not responsible for damage in transit, and claims for such damage should be presented to the carrier by the customer.

This product has been designed solely for use as a housing for a disposable filter cartridge. It is NOT warranted against freezing, and neither this product nor its parts is warranted against defects or deterioration caused by uses for which this product was not expressly intended.

THE FOREGOING WARRANTY IS EXCLUSIVE AND IN LIEU OF ALL OTHER WARRANTIES, EXPRESSED OR IMPLIED, WHETHER ORAL OR ARISING BY USAGE OF TRADE OR COURSE OF DEALING, INCLUDING, WITHOUT LIMITATION, ANY WARRANTIES OF FITNESS OR MERCHANTABILITY. THIS WARRANTY IS THE PURCHASER'S SOLE AND EXCLUSIVE REMEDY. IN NO EVENT SHALL CULLIGAN BE LIABLE FOR ANY ANTICIPATED OR LOST PROFITS, INCIDENTAL DAMAGES, CONSEQUENTIAL CHARGES OR OTHER LOSSES, WHETHER BASED ON BREACH OF CONTRACT, TORTIOUS CONDUCT OR ANY OTHER THEORY, INCURRED IN CONNECTION WITH THE PURCHASE, INSTALLATION, REPAIR OR OPERATION OF THE OPAQUE FILTER HOUSING. CULLIGAN DOES NOT AUTHORIZE ANYONE TO ASSUME FOR IT ANY LIABILITY OR MAKE ON ITS BEHALF ANY ADDITIONAL WARRANTIES IN CONNECTION WITH THE OPAQUE FILTER HOUSING OR ANY PART THEREOF.

For servicing under this warranty, return any defective part to YOUR RETAILER within the two-year period referred to above.

## IOWA RESIDENTS ONLY:

Store or seller's name:

Address:

City:

State:

Zip:

Telephone:

Seller's signature:

Customer's signature:

Date:

State of California  
Department of Health Services  
Water Treatment Device  
Certificate Number

07 - 1849

Date Issued: May 3, 2007

Trademark/Model Designation	Replacement Elements
Culligan System IC-EZ	RC-EZ-3

Manufacturer: Culligan International

The water treatment device(s) listed on this certificate have met the testing requirements pursuant to Section 116830 of the Health and Safety Code for the following health related contaminants:

Microbiological Contaminants and Turbidity	Inorganic/Radiological Contaminants
Cysts Turbidity	Lead
Organic Contaminants	
Atrazine Lindane	

Rated Service Capacity: 500 gallons      Rated Service Flow: 0.5 gpm

Conditions of Certification:  
Do not use where water is microbiologically unsafe or with water of unknown quality, except that systems certified for cyst reduction may be used on disinfected waters that may contain filterable cysts.

State of California  
Department of Health Services  
Water Treatment Device  
Certificate Number  
07 - 1850

Date Issued: May 3, 2007

Trademark/Model Designation	Replacement Element(s)
Culligan System IC-EZ	RC-EZ-4

Manufacturer: Culligan International

The water treatment device(s) listed on this certificate have met the testing requirements pursuant to Section 116830 of the Health and Safety Code for the following health related contaminants:

Microbiological Contaminants and Turbidity	Inorganic/Radiological Contaminants
Cysts Turbidity	Lead Mercury
Organic Contaminants	
MIBE VOCs Alachlor Atrazine Benzene Carbofuran Carbon Tetrachloride Chlorobenzene Chloroform 2,4-D DBCP o-Dichlorobenzene p-Dichlorobenzene 1,2-Dichloroethane 1,1-Dichloroethylene cis-1,2-Dichloroethylene trans-1,2-Dichloroethylene 1,2-Dichloropropane cis-1,3-Dichloropropylene Dinoseb	Simazine Styrene 1,1,2,2-Tetrachloroethane Tetrachloroethylene Toluene 2,4,5-TP (Silvex) Trichloroacetic Acid 1,2,4-Trichlorobenzene 1,1,1-Trichloroethane 1,1,2-Trichloroethane Trichloroethylene Trihalomethanes (THMs) Bromodichloromethane Bromoform Chloroform Chlorodibromomethane Xylenes

Rated Service Capacity: 500 gallons

Rated Service Flow: 0.5 gpm

Do not use where water is microbiologically unsafe or with water of unknown quality, except that systems certified for cyst reduction may be used on disinfected waters that may contain filterable cysts.



**Culligan International Company**  
Rosemont, Illinois 60018  
www.culligan.com  
www.culligan-store.com

**Customer Service M-F 8:00 a.m. – 4:30 p.m. CST**  
**Phone: 1-800-721-7360 • Fax: 1-800-721-7390**  
International: Phone (920) 457-2726 • Fax (920) 457-7366  
e-mail: customerservice@culligan.com

**Sales & Marketing Correspondence**  
P.O. Box 1086 • Sheboygan, WI 53082-1086  
Fax (920) 457-7366  
e-mail: sales-marketing@culligan.com